

Wózek narzędziowy z wyposażeniem

Model: 7-Szuflad – 305 sztuk narzędzi

W/7-Drawer Tool Trolley - 305PCS Contents

1st DRAWER



GAAT1301	GAAT0817	GAAT1802	GAAT0802
----------	----------	----------	----------

2ND DRAWER



GCAT2001	GCAT2507
	GCAT7202

3RD DRAWER



GAAT6502	GCAT1807	GAAT0805	GAAT0807
----------	----------	----------	----------

4TH DRAWER



GBAT0303	GBAT0402	GBAT0401	GCAT0701
----------	----------	----------	----------

5TH DRAWER



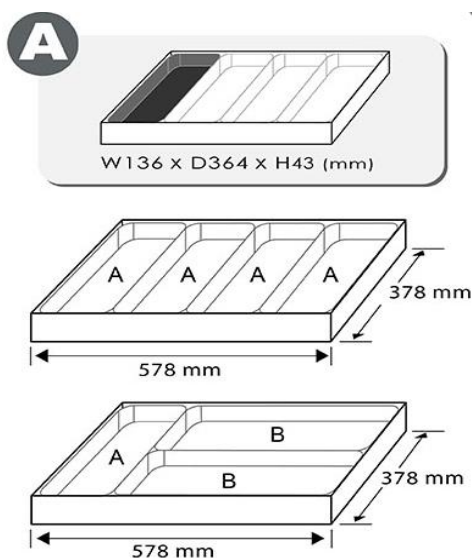
GBAT0501	GAAT0811
	GCAT1101

Kliknij na wybraną wkładkę i znajdź indywidualne narzędzie.

Indeks: GCAJ305B

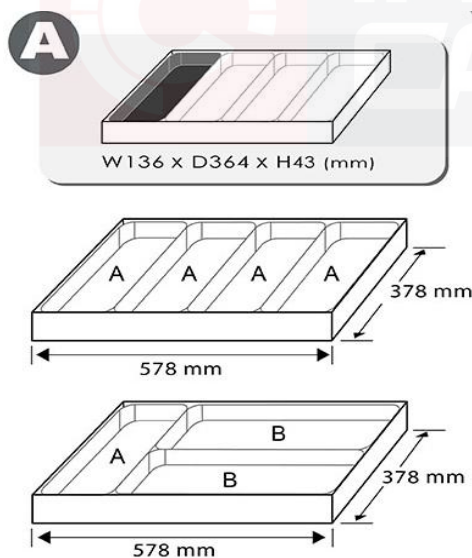


Item no.	Content / Zawartość	Size [mm]	Zam./Order
GAAT1301	13	AAEX0808	8
		AAEX1010	10
		AAEX1111	11
		AAEX1212	12
		AAEX1313	13
		AAEX1414	14
		AAEX1515	15
		AAEX1616	16
		AAEX1717	17
		AAEX1818	18
		AAEX1919	19
		AAEX2222	22
		AAEX2424	24



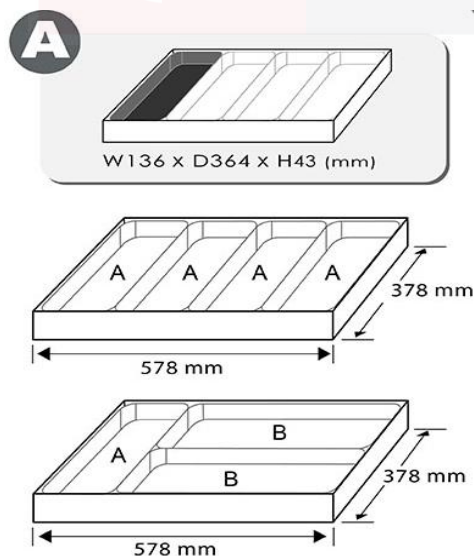


Item no.	Content / Zawartość	Size [mm]	Zam./Order
GAAT0817	8	AOAF0808	8
		AOAF1010	10
		AOAF1111	11
		AOAF1212	12
		AOAF1313	13
		AOAF1414	14
		AOAF1717	17
		AOAF1919	19



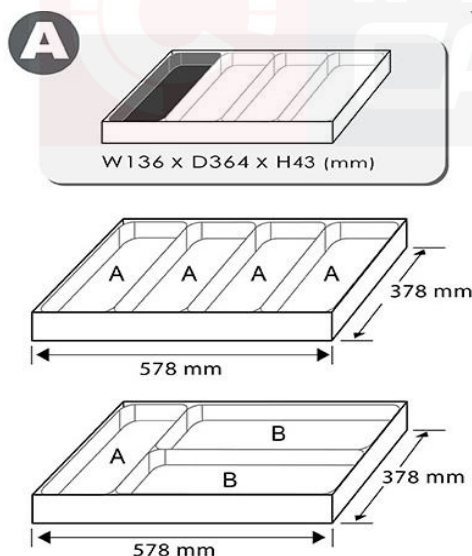


Item no.	Content / Zawiera			Zam./Order
GAAT1802	9	GAAL0910	1.5, 2, 2.5, 3, 4, 5, 6, 8, 10 mm	
	9	AAEJ0607	6x7	mm
		AAEJ0809	8x9	mm
		AAEJ1011	10x11	mm
		AAEJ1213	12x13	mm
		AAEJ1415	14x15	mm
		AAEJ1617	16x17	mm
		AAEJ1819	18x19	mm
		AAEJ2022	20x22	mm
		AAEJ2224	22x24	mm



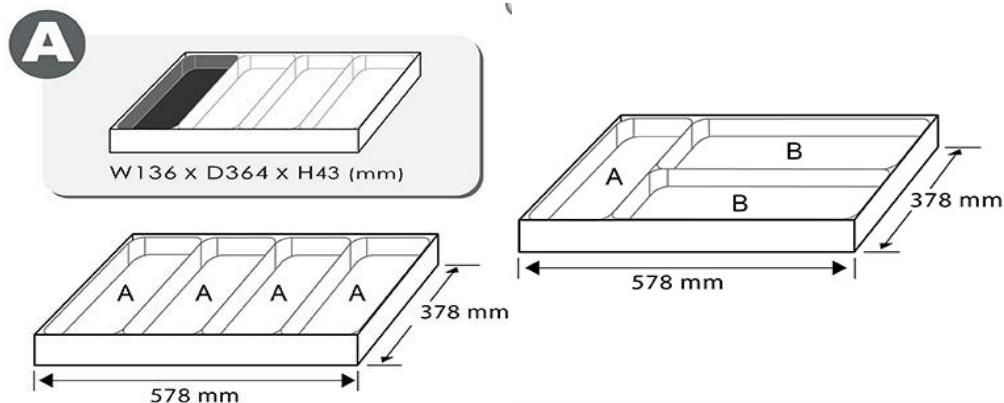


Item no.	Content / Zawartość	Size [mm]	Zam./Order
GAAT0802	8	AAEI0607	6x7
		AAEI0809	8x9
		AAEI1011	10x11
		AAEI1213	12x13
		AAEI1415	14x15
		AAEI1617	16x17
		AAEI1819	18x19
		AAEI2022	20x22



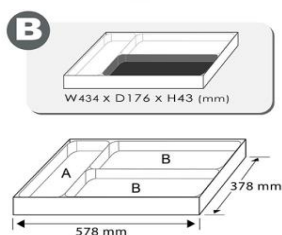


Item no.	Content / Zawartość	Size [mm]	L [mm]			Zam./Order	
GCAT2001 6PT	14	BAEA1208	8	-	3/8"		
		BAEA1209	9	-	3/8"		
		BAEA1210	10	-	3/8"		
		BAEA1211	11	-	3/8"		
		BAEA1212	12	-	3/8"		
		BAEA1213	13	-	3/8"		
		BAEA1214	14	-	3/8"		
		BAEA1215	15	-	3/8"		
		BAEA1216	16	-	3/8"		
		BAEA1217	17	-	3/8"		
		BAEA1218	18	-	3/8"		
		BAEA1219	19	-	3/8"		
		BAEA1221	21	-	3/8"		
		BAEA1222	22	-	3/8"		
	2	CAAA1203	-	75	3/8"		
		CAAA1206	-	150	3/8"		
	1	CAHA1254	-	-	3/8"	Joint	
1	CTCK1220	-	200	3/8"	T-handle		
1	BAAR1216	16	-	3/8"	Spark plug socket		
1	CFKA1210	-	250	3/8"	Swivel handle		
1	CJBM1220	-	-	3/8"	72 teeth		





Item no.	Content / Zawartość	Size [mm]	L [mm]			Zam./Order	
GCAT2507 6PT	18	BAEA1610	10	-	1/2"		
		BAEA1611	11	-	1/2"		
		BAEA1612	12	-	1/2"		
		BAEA1613	13	-	1/2"		
		BAEA1614	14	-	1/2"		
		BAEA1615	15	-	1/2"		
		BAEA1616	16	-	1/2"		
		BAEA1617	17	-	1/2"		
		BAEA1618	18	-	1/2"		
		BAEA1619	19	-	1/2"		
		BAEA1620	20	-	1/2"		
		BAEA1621	21	-	1/2"		
		BAEA1622	22	-	1/2"		
		BAEA1623	23	-	1/2"		
		BAEA1624	24	-	1/2"		
		BAEA1627	27	-	1/2"		
		BAEA1630	30	-	1/2"		
		BAEA1632	32	-	1/2"		
	2	CAAA1605	-	125	1/2"		
		CAAA1610	-	250	1/2"		
1	CAHA1678	-	-	1/2"	Joint		
1	CTCK1630	-	300	1/2"	T-handle		
1	BAAR1621	21	-	1/2"			
1	CFKA1615	-	375	1/2"	Swivel handle		
1	CJBM1627	-	-	1/2"	72 teeth		

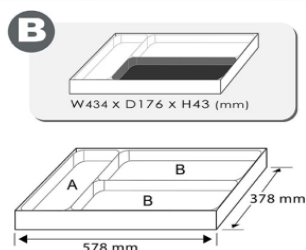




Item no.	Content / Zawiera				Zam./Order		
GCAT7202 (6PT) 1/1	13	BAEA0804	4	mm	1/4"		
		BAEA084E	4.5	mm	1/4"		
		BAEA0805	5	mm	1/4"		
		BAEA08E5	5.5	mm	1/4"		
		BAEA0806	6	mm	1/4"		
		BAEA0807	7	mm	1/4"		
		BAEA0808	8	mm	1/4"		
		BAEA0809	9	mm	1/4"		
		BAEA0810	10	mm	1/4"		
		BAEA0811	11	mm	1/4"		
		BAEA0812	12	mm	1/4"		
		BAEA0813	13	mm	1/4"		
		BAEA0814	14	mm	1/4"		
		13	BAEE0804	4	mm	1/4"	
	BAEE084E		4.5	mm	1/4"		
	BAEE0805		5	mm	1/4"		
	BAEE08E5		5.5	mm	1/4"		
	BAEE0806		6	mm	1/4"		
	BAEE0807		7	mm	1/4"		
	BAEE0808		8	mm	1/4"		
	BAEE0809		9	mm	1/4"		
	BAEE0810		10	mm	1/4"		
	BAEE0811		11	mm	1/4"		
	BAEE0812		12	mm	1/4"		
	BAEE0813		13	mm	1/4"		
	BAEE0814		14	mm	1/4"		
	7		○	BCDA082E	2.5	mm	1/4"
		BCDA0803		3	mm	1/4"	
		BCDA0804		4	mm	1/4"	
		BCDA0805		5	mm	1/4"	
		BCDA0806		6	mm	1/4"	
		BCDA0807		7	mm	1/4"	
		BCDA0808		8	mm	1/4"	
	6	●	BCCA0803	3	mm	1/4"	
			BCCA0804	4	mm	1/4"	
			BCCA084E	4.5	mm	1/4"	
			BCCA085E	5.5	mm	1/4"	
			BCCA086E	6.5	mm	1/4"	
	BCCA0808	8	mm	1/4"			

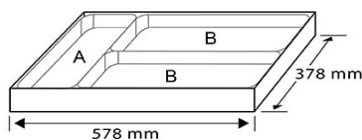
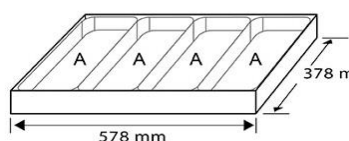
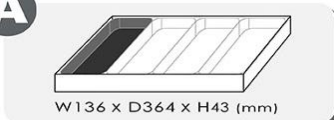


Item no.	Content / Zawiera				Zam./Order	
GCAT7202 (6PT) 1/2	5	+	BCAA08P0	PH0	1/4"	
			BCAA08P1	PH1	1/4"	
			BCAA08P2	PH2	1/4"	
			BCAA08P3	PH3	1/4"	
			BCAA08P4	PH4	1/4"	
	4	+	BCBA08P0	PZ0	1/4"	
			BCBA08P1	PZ1	1/4"	
			BCBA08P2	PZ2	1/4"	
			BCBA08P3	PZ3	1/4"	
	8	○	BCFA0808	T8	1/4"	
			BCFA0810	T10	1/4"	
			BCFA0815	T15	1/4"	
			BCFA0820	T20	1/4"	
			BCFA0825	T25	1/4"	
			BCFA0827	T27	1/4"	
			BCFA0830	T30	1/4"	
			BCFA0840	T40	1/4"	
	1		CJBM0815		72-Tooth	1/4"
	3		CAAA0802	2"	(L)	1/4"
			CAAA0804	4"	(L)	1/4"
			CAAA0806	6"	(L)	1/4"
	1		CTCK0811		T-handle	1/4"
	1		CAHA0840		Joint	1/4"
	1		CAIA0815		Handle	1/4"
9		GAAL0916	1.5, 2, 2.5, 3, 4, 5, 6, 8, 10 mm			





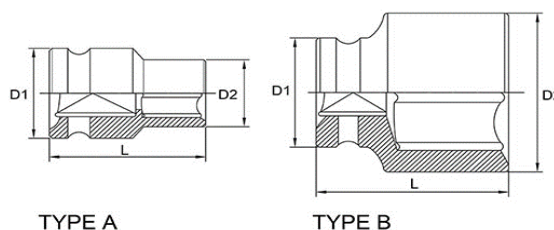
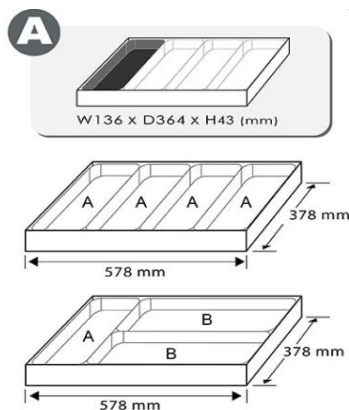


Item no.	Content / Zawartość	Size			Zam./Order	
GAAT6502	35	GACW3502	-	1/4"	Bit Set	
	5	BAED0804	E4	1/4"	Socket	
		BAED0805	E5	1/4"		
		BAED0806	E6	1/4"		
		BAED0807	E7	1/4"		
		BAED0808	E8	1/4"		
	9	BAED1610	E10	1/2"	Socket	
		BAED1611	E11	1/2"		
		BAED1612	E12	1/2"		
		BAED1614	E14	1/2"		
		BAED1616	E16	1/2"		
		BAED1618	E18	1/2"		
		BAED1620	E20	1/2"		
		BAED1624	E24	1/2"		
	6	BCFA1630	T30	1/2"	Bit Socket	
		BCFA1640	T40	1/2"		
		BCFA1645	T45	1/2"		
		BCFA1650	T50	1/2"		
		BCFA1655	T55	1/2"		
		BCFA1660	T60	1/2"		
	9	GAAL0913	T10, T15, T20, T25, T27, T30, T40, T45, T50		Key wrench set	
1	FTAB0808	1/4"	1/4"	Bit Holder		




A




Item no.	Content / Zawiera	SIZE (mm)	L (mm)	D1 (mm)	D2 (mm)	Zam./ /Order	
GCAT1807 (6PT)	A 	KABA1610	10	38	25	17.0	
		KABA1611	11	38	25	18.2	
		KABA1612	12	38	25	19.5	
		KABA1613	13	38	25	20.7	
		KABA1614	14	38	25	22.0	
		KABA1615	15	38	30	23.2	
		KABA1616	16	38	30	24.5	
		KABA1617	17	40	30	25.7	
		KABA1618	18	40	30	27.0	
	KABA1619	19	40	30	28.2		
	B 	KABA1621	21	40	30	30.0	
		KABA1622	22	40	30	32.0	
		KABA1623	23	42	30	34.0	
		KABA1624	24	42	30	34.0	
		KABA1627	27	42	30	38.0	
		KABA1630	30	46	30	42.0	
		KABA1632	32	46	30	44.0	
1	KACE1605			1/2"			





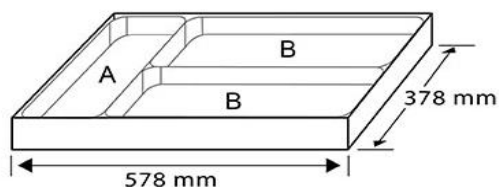
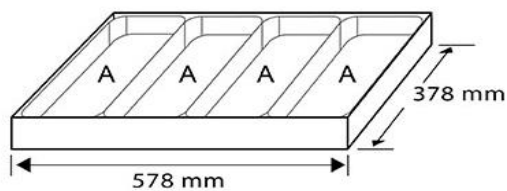
Item no.	Content / Zawiera	Size	L [mm]	Zam./Order	
GAAT0805	3 	FBAB0108	PH1	80	
		FBAB0210	PH2	100	
		FBAB0315	PH3	150	
	1	FBBB0203	PH2	25	
	3 	FAAB0410	4 mm	100	
		FAAB5E10	5.5 mm	100	
		FAAB6E10	6.5 mm	150	
	1	FABB6E03	6.5 mm	25	




A

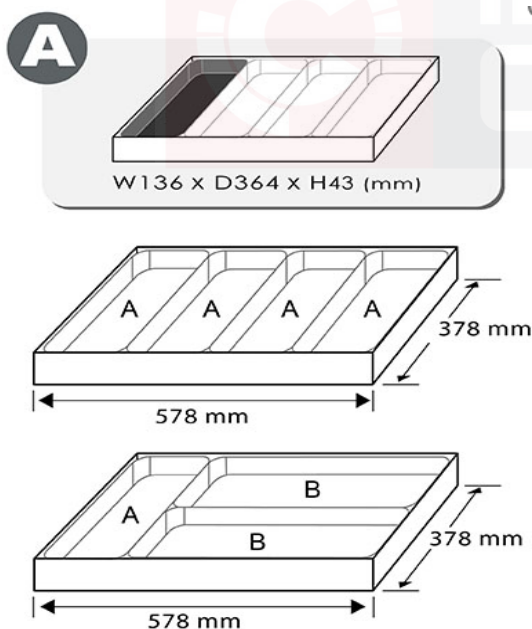


W136 x D364 x H43 (mm)





Item no.	Content / Zawiera	Size	Zam./Order	
GAAT0807 	8	FEAB0908	T9	
		FEAB1008	T10	
		FEAB1508	T15	
		FEAB2008	T20	
		FEAB2508	T25	
		FEAB2708	T27	
		FEAB3008	T30	
		FEAB4008	T40	





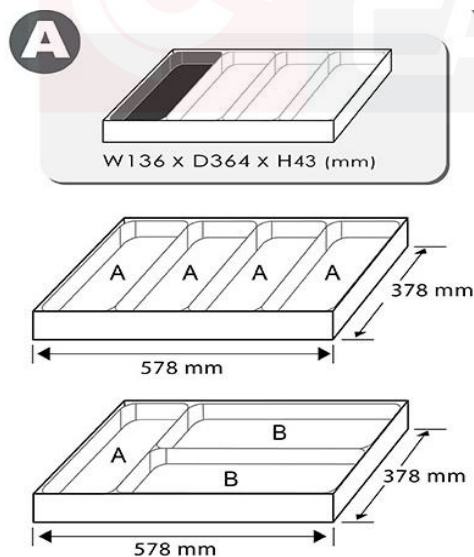
Item no.	Content / Zawiera	Zam./Order
GBAT0303	1 DAAQ1A10	
	1 DDBA2210	
	1 AMAA3325	

DDBA2210

DAAQ1A10



AMAA3325





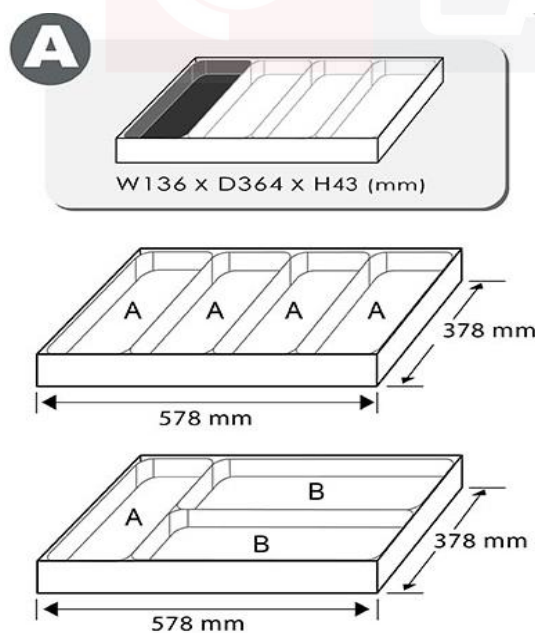
Item no.	Content / Zawiera	
GBAT0402	1	DBBB2207
	1	DEBC2207
	1	DFBB2208
	1	DFBA2208

Zam./Order



DBBB2207

DFBA2208





Item no.	Content / Zawiera	
GBAT0401	1	DCAA1207
	1	DCAB1207
	1	DCAC1207
	1	DCAD1207

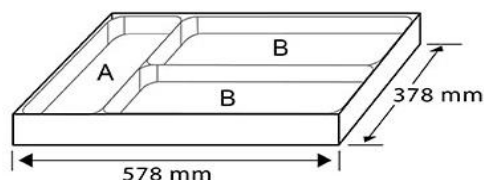
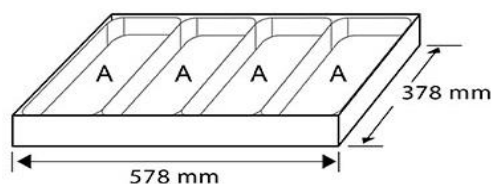
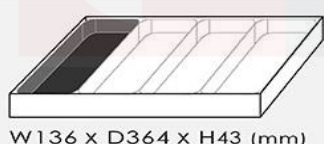
Zam./Order



DCAC1207

DCAD1207

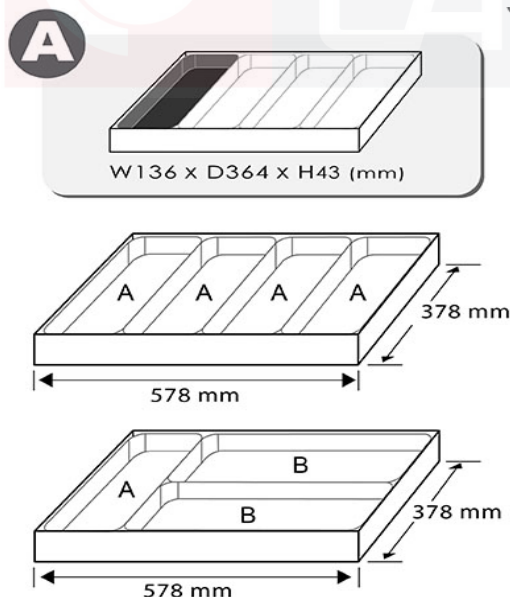
A





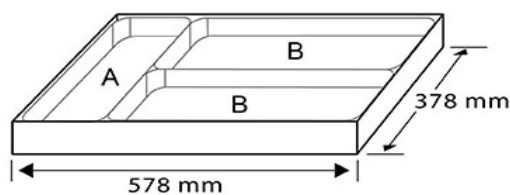
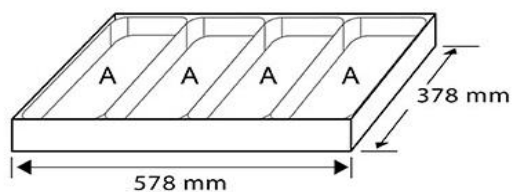
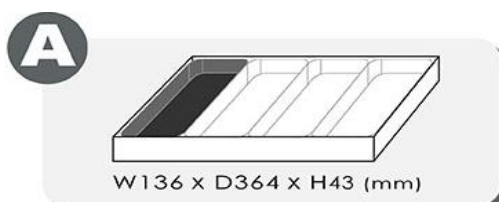
Item no.	Content / Zawiera		
GCAT0701	5	GAAV0501	Pin Punch: 4x10x150 mm Cape Chisel: 5x10x130 mm Cold Chisel: 12x10x130 mm Taper Punch: 3x10x120 mm Center Punch: #2x10x120 mm
	1	HAAA0330	300 g
	1	HAAB1038	16 oz

Zam./Order

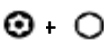




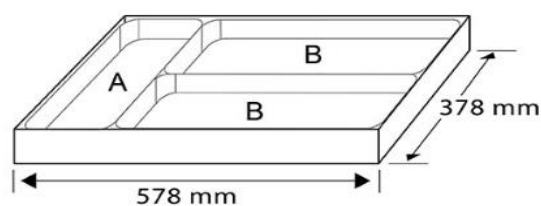
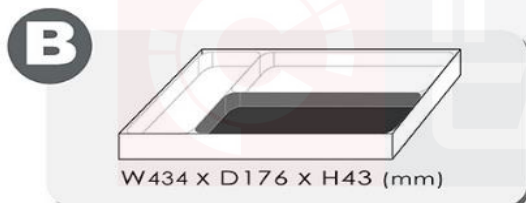
Item no.	Content / Zawiera	L	Zam./Order
GBAT0501	1 SDBB0821	8"	
	1 HBAF0130	8"	
	1 ICAC0122	8"	
	1 ICAB0124	8"	
	1 ICAA0020	8"	





Item no.	Content / Zawiera		
GAAT0811 	8	AGCD0214	2x140
		AGCD2E14	2.5x140
		AGCD0314	3x140
		AGCD0414	4x140
		AGCD0520	5x203
		AGCD0620	6x203
		AGCD0827	8x265
		AGCD1027	10x265

Zam./Order





Item no.	Content / Zawiera		Zam./Order
GCAT1101	1	SBAA0414	Electrician scissors
	1	HBAF0130	Auto center punch
	1	ICAC0122	SAE
	1	ICAB0124	Metric
	1	ICAA0020	Metric
	1	IAAA0005	5 m
	1	SCAA2017	Knife
	1	IDAA0208	Scriber
	1	IACA0150	Caliper
	1	IBAA0150	Protractor
	1	IABA0300	Ruler 30 cm

